

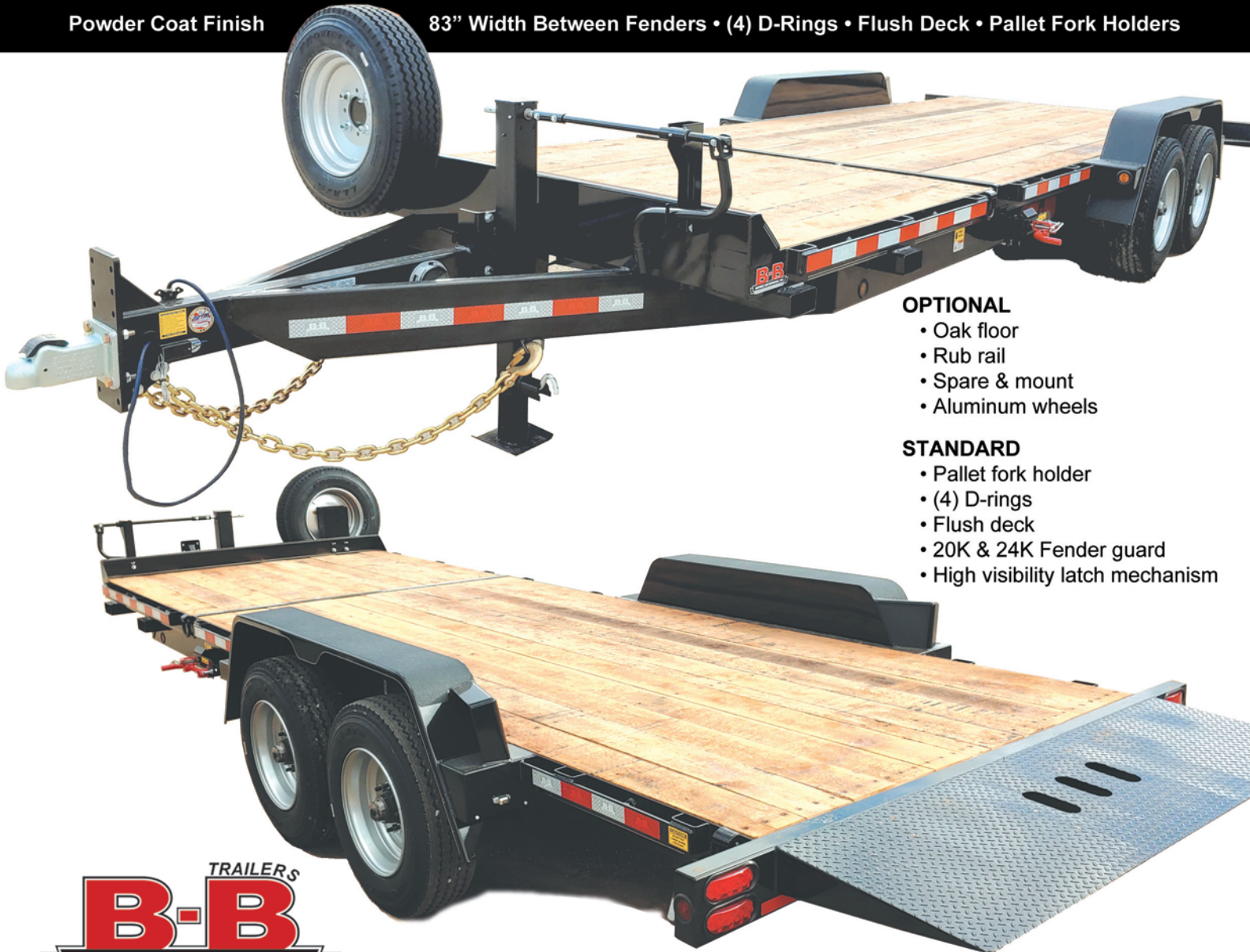
TUBE FRAME

14,000 • 16,000 • 20,000 • 24,000 GWV

# Partial Tilt-TBCT

Powder Coat Finish

83" Width Between Fenders • (4) D-Rings • Flush Deck • Pallet Fork Holders



#### OPTIONAL

- Oak floor
- Rub rail
- Spare & mount
- Aluminum wheels

#### STANDARD

- Pallet fork holder
- (4) D-rings
- Flush deck
- 20K & 24K Fender guard
- High visibility latch mechanism

#### Fender guard--

*Standard on 20 & 24 GWV  
Optional on 14 & 16 GWV*



Tilt Latch Mechanism

Optional Spare Tire Mount



# Partial Tilt

14,000 • 16,000 • 20,000 • 24,000 GVW

## TUBE FRAME

	20' (4' + 16')	22' (6' + 16')	24' (8' + 16')	20' (2' + 18')	22' (4' + 18')	24' (6' + 18')
(2) 7K Axles	TBCT2014ET	TBCT2214ET	TBCT2414ET	TBCT2014ET-XL	TBCT2214ET-XL	TBCT2414ET-XL
(2) 8K Axles	TBCT2016ET	TBCT2216ET	TBCT2416ET	TBCT2016ET-XL	TBCT2216ET-XL	TBCT2416ET-XL
(2) 10K Axles	TBCT2020ET	TBCT2220ET	TBCT2420ET	TBCT2020ET-XL	TBCT2220ET-XL	TBCT2420ET-XL
(2) 12K Axles	TBCT2024ET	TBCT2224ET	TBCT2424ET	TBCT2024ET-XL	TBCT2224ET-XL	TBCT2424ET-XL

- (2) 7,000 lb. Dexter Torflex Axles; (4) 235-80R-16E 10-Ply Tire & Wheel
- (2) 8,000 lb. Dexter Torflex Axles; (4) 215-75R-17.5 16-Ply Tire & Wheel
- (2) 10,000 lb. Dexter Torflex Axles; (4) 235/75R-17.5 Super Single 18-Ply Tire & Wheel; Fender guards
- (2) 12,000 lb. Dexter Torflex Axles; (4) 235-75R-17.5 Super Single 18-Ply Tire & Wheel; Fender guards

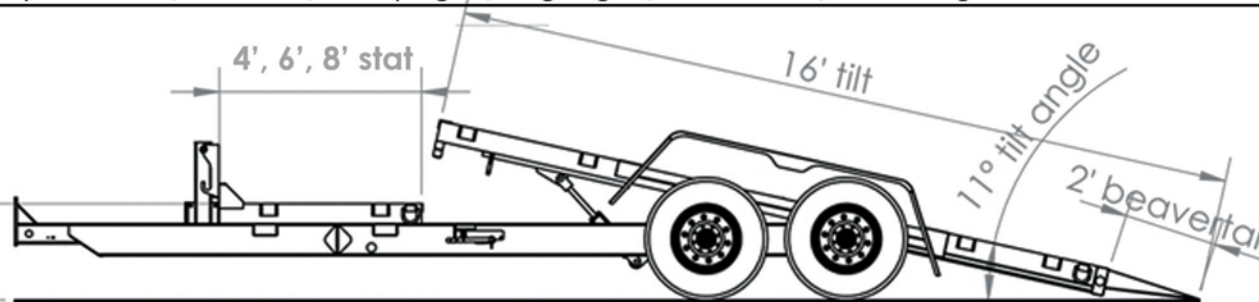
### Approximate Weights

TBCT2014ET	3,780 lb.
TBCT2214ET	3,900 lb.
TBCT2414ET	4,260 lb.
TBCT2016ET	4,020 lb.
TBCT2216ET	4,340 lb.
TBCT2416ET	5,080 lb.
TBCT2020ET	5,020 lb.
TBCT2220ET	5,300 lb.
TBCT2420ET	5,600 lb.
TBCT2024ET	5,560 lb.
TBCT2224ET	5,800 lb.
TBCT2424ET	6,160 lb.

<b>Frame</b>	<b>Stationary:</b> 8 x 2 Tube Frame	<b>Tilt:</b> 5 x 3 x 1/4 Angle Iron
	<b>2' Beavertail:</b> 1/8" Tread Plate Knife Edge Tail With Supports Every 7"	
	<b>Front Rail:</b> 3/16" Formed Sheet Metal 5" Above Frame	
<b>Crossmembers</b>	3" Channels on 12" Centers	
<b>Jack</b>	10,000 lb. Heavy Duty Drop Leg Jack	
<b>Cylinder</b>	14" Cushion Cylinder--Gravity Up & Down w/ Dampening Cylinder & Side Mounted Hydraulic Flow Valve	
<b>Hitch</b>	2 5/16 Adjustable Flat Plate Coupler or Pintle Hitch	
<b>Tie-Downs</b>	(4) D-Rings--(2) rear of stationary, (2) rear of tilt; Stake Pockets	
<b>Finish</b>	Pre-Blasted, Acid Washed, Zinc Rich Primer, Powder Coat Finish	
<b>Electrical</b>	Electrical Completed After Paint; DOT Approved All Sealed Rubber Mounted LED; Wiring Is Protected Through Tube Frame	
<b>Decking</b>	2 x 8 Treated Lumber	
<b>Standard</b>	True 83" Wide Between the Fenders; Side Hand Valve; Flush Deck; Pallet Fork Holders; Chain Tray; Cold Weather Wiring Harness	
<b>Optional</b>	Third Axle; Spare Tire and Mount; Bolt-on Toolbox; Oak Floor; Gooseneck Coupler; Bolt-on Winch Mount Hydraulic Jack; Power Tilt; Backup Lights; Cargo Lights; Traction Bars; Solar Charger	



24" deck height



\*Also available in 6', 8' and 10' stationary.

Manufactured by:

Behnke Enterprises, Inc.

800 9th Ave. NW, Farley, IA 52046 ■ Ph. (563)744-3246 ■ Fax (563)744-9066 ■ www.behnkeenterprises.com

